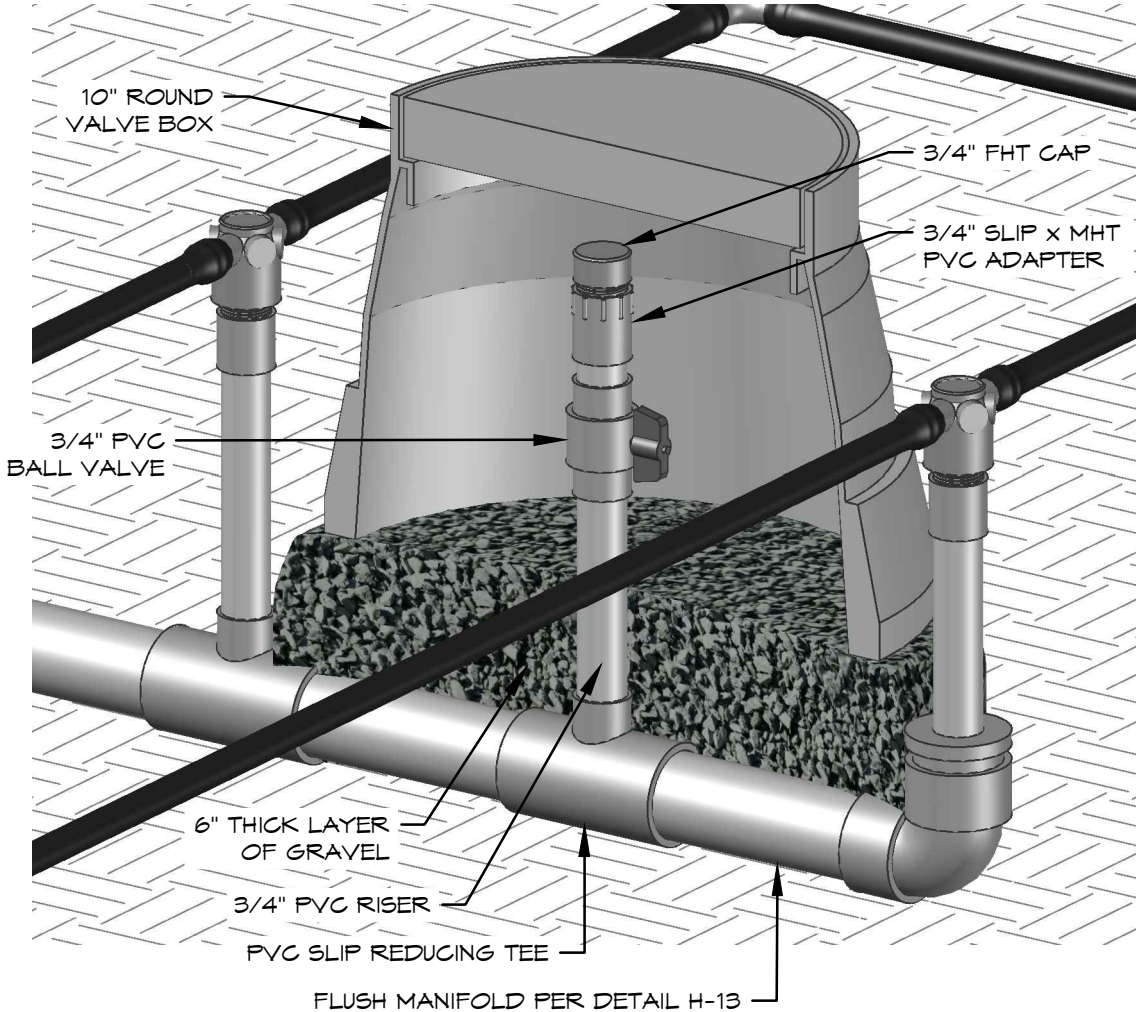


- NOTES:
1. INSTALL 1 CUBIC FOOT OF GRAVEL UNDERNEATH THE VALVE BOX AS A BED FOR THE BOX AND A SUMP FOR FLUSHED WATER.
 2. INSTALL THE VALVE BOX SO THE TOP IS 1" ABOVE FINISH GRADE.
 3. BRAND THE VALVE BOX LID WITH 'FC' IN LETTERS 2" HIGH.



H-15

SUB-SURFACE DRIPLINE - MANIFOLD

FLUSH RISER W/ BALL VALVE

H-15

10/12/17

© 2016 WATER RIGHT DESIGN