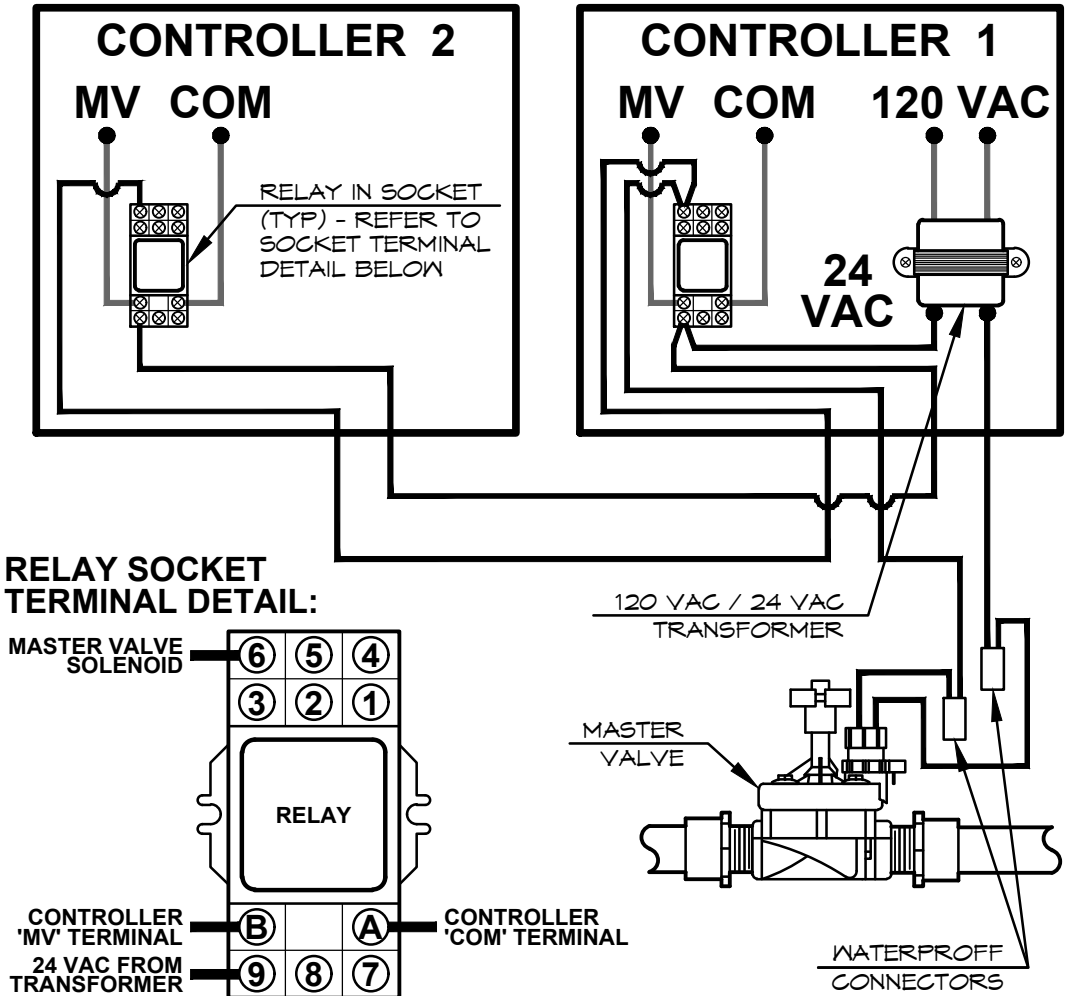


NOTES:

1. ALL 120-VOLT WIRING TO BE PER APPLICABLE ELECTRICAL CODES; SPLICE TRANSFORMER LEADS WITHIN AN APPROVED JUNCTION BOX.
2. ALL 24-VOLT WIRING TO BE #14UF; COLOR FOR MASTER VALVE CIRCUIT TO BE DIFFERENT THAN CONTROLLER STATIONS, COMMONS, & SPARES.
3. SECURE TRANSFORMER & RELAY SOCKETS TO BACKBOARD WITH SHEET METAL SCREWS, USING THE MOUNTS PROVIDED ON THE DEVICES.



B-20

TWO CONTROLLERS OPERATING ONE
MASTER VALVE - WIRING DIAGRAM